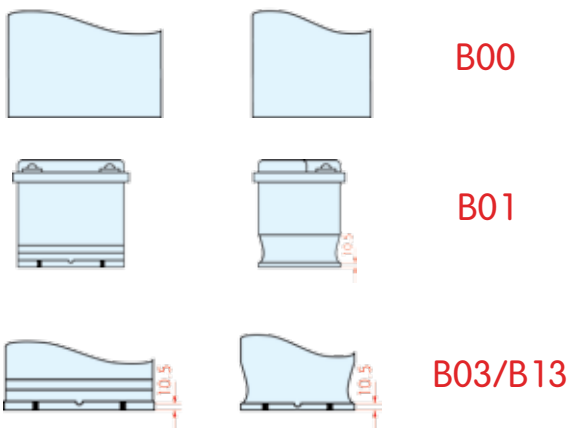




	Artikelnummer	20h / 27° C	5h / -18° C	Lengte	Breedte	Hoogte	Bodembevestiging	Poolzetting	Tenax
Automotive	43.044.00	44	440	207	175	175	B13	0	TE-T4-1
	43.060.00	60	540	242	175	175	B13	0	TE-T5-1
	43.072.00	72	680	278	175	175	B13	0	TE-T6-1
	43.091.00	91	740	306	173	225	B01	0	TE-D31L-2
	43.095.00	95	800	353	175	190	B13	0	TE-H8-1
Truck	43.100.00	100	600	413	175	220	B00	0	T68n
	43.100.01	100	720	313	175	208	B13	0	T69n
	43.110.01	110	680	347	173	234	B00	0	T46n
	43.120.00	120	680	513	189	223	B00	3	T49n
	43.125.00	125	720	349	175	290	B00	0	T51n
	43.135.00	135	1000	514	175	210	B03	3	T56n
	43.140.00	140	760	513	189	223	B03	3	T58n
	43.140.01	140	760	513	189	223	B00	3	T57n
	43.180.00	180	1000	513	223	223	B00	3	T63n
	43.225.00	225	1150	518	276	242	B00	3	T65n
	Semi-tractie	43.105.10	105	-	330	175	240	B00	9
43.130.10		130	-	513	189	223	B00	3	M4L13
43.180.10		180	-	513	223	223	B00	3	M4L14
43.230.10		230	-	518	276	242	B00	3	M4L15

## Bodembevestiging



## Poolzetting

