

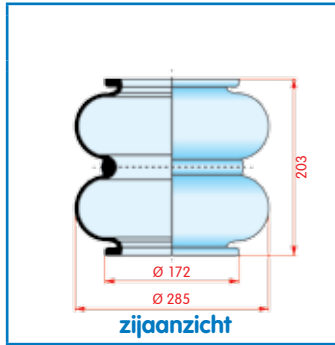


MAN

WH **33.37**

OE 81.43601.0022
88.96420.0217

VC V 2 B 20 R
CT 608 N
PH 2 B 20 R
GY
DL
CF T245



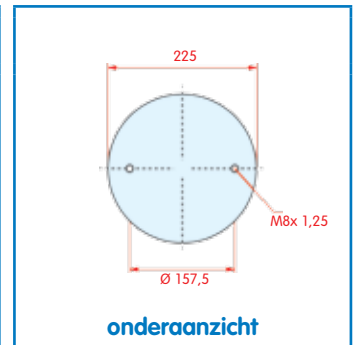
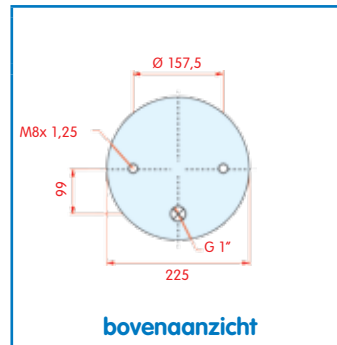
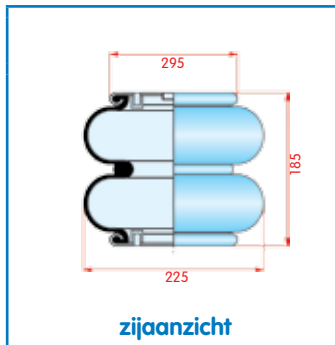
2-kamer balg, los rubber (Bellows Only)

MAN

WH **33.444**

OE 81.43601.0022

VC V SP 2 B 22 R-3
CT
FS
PH
GY
DL
CF



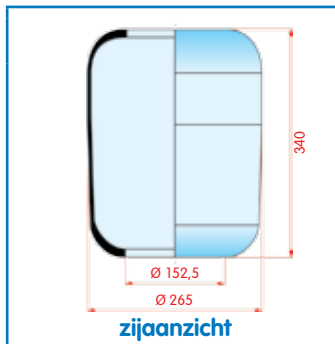
Luchtbalg compleet (Complete Assembly)

MAN

WH **33.09**

OE 81.43601.0078
81.43601.0081
81.43601.0083
81.43601.0117

VC V 1 F 25
CT 715 N
FS 1R1C 335 310 W01-095-0087
PH 1 F 25
GY 8015 556-03-8015
DL
CF 1SC310-16 93518



Luchtbalg, los rubber (Bellows Only)

MAN

WH **33.10**

OE 81.43601.0017
81.43601.0033
81.43601.0036
81.43601.0037

VC V 1 F 21
CT 720 N
FS 1R2A 460 295 W01-095-0195
PH 1 F 21
GY 9008 556-03-9008
DL D12 S04
CF 1SC290-30 88802



Luchtbalg, los rubber (Bellows Only)

MAN

WH 33.13

OE 81.43601.0039
81.43601.0040

VC V 1 F 26 B-1
CT 716 N
FS 1R2A 450 305 W01-095-0145
PH 1 F 26 B-1
GY 9073 556-03-9073
DL
CF 1SC300-34 92548



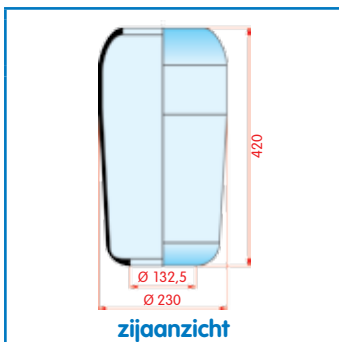
Luchtbalg, los rubber (Bellows Only)

MAN

WH 33.30

OE 81.43601.0108
81.43601.0161
81.43601.0169

VC V 1 F 20 A
CT 884 N
1886 N
FS 1R1B 415 270 W01-095-0295
PH 1 F 20 A
GY 9002 556-03-9002
DL D12 S06
CF 1S270-25 97608



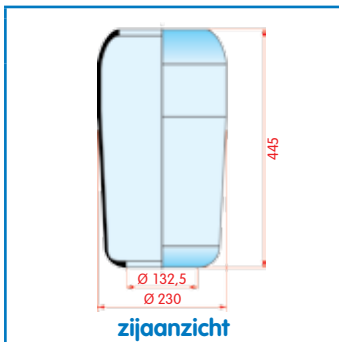
Luchtbalg, los rubber (Bellows Only)

MAN

WH 33.36

OE 81.43601.0125
81.43601.0146
81.43601.0147
81.43601.0150

VC V 1 F 20 B
CT 1885 N1
FS 1R2A 445 280 W01-095-0429
PH 1 F 20 B
GY 9003 556-03-9003
DL D12 S07
CF 1SC270-28 97043



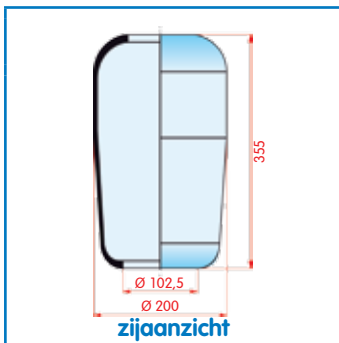
Luchtbalg, los rubber (Bellows Only)
Langere slag balg van 33.30

MAN

WH 33.40

OE 81.43601.0053

VC V 1 F 14
CT 786 N
FS 1R2S 355 245 W01-095-0436
PH 1 F 14
GY
DL
CF



Luchtbalg, los rubber (Bellows Only)

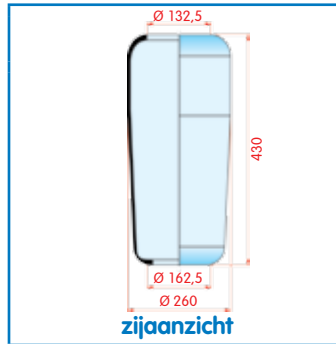


MAN

WH 33.43

OE 81.43601.0121
81.43601.0129
81.43601.0132
81.43601.0136

VC V 1 F 16
CT 882 N1
FS 1R4R 465 260 W01-095-0435
PH 1 F 16
GY 9048 556-03-9048
DL D12 S12
CF 1SC250-28 97042



Luchtbalg, los rubber (Bellows Only)

MAN

WH 33.44

OE 81.43601.0071
81.43601.0072
81.43601.0110
81.43601.0128

VC V 1 F 21 C-2
CT 883 N1
FS 1 F 21 C-2
PH 1 F 21 C-2
GY 9012 556-03-9012
DL D13 S03
CF 1SC250-29 204250



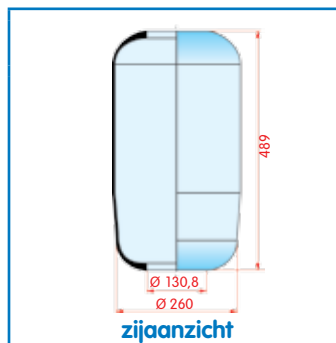
Luchtbalg, los rubber (Bellows Only)

MAN

WH 33.80

OE 81.43601.0003

VC V 1 F 26
CT 737 N
1421 N
FS 1R2A 480 330 W01-095-0211
PH 1 F 26
GY 9075 556-03-9075
DL D13 S06
CF 1S320-23 89756



Luchtbalg, los rubber (Bellows Only)

MAN

WH 33.100

OE 81.43601.0102
81.43601.0105
81.43601.0126

VC V 1 F 21 C-5
CT 916 N1
FS 1 F 21 C-5
PH 1 F 21 C-5
GY 9015 556-03-9015
DL D12 S05
CF



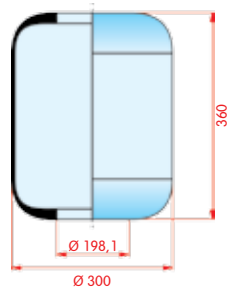
Luchtbalg, los rubber (Bellows Only)

MAN

WH 33.197

OE 81.43601.0018
81.43601.0051

VC V 1 E 32
CT 662 N
FS 1R1D 355 355 W01-095-0207
PH 1 E 32
GY 9007 556-03-9007
DL D13 S01
CF 1SC360-30



zijaanzicht

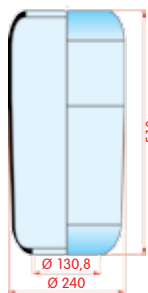
Luchtbalg, los rubber (Bellows Only)

MAN

WH 33.254

OE 81.43601.0139

VC
CT 706 N
FS
PH
GY
DL
CF



zijaanzicht

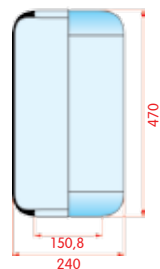
Luchtbalg, los rubber (Bellows Only)

MAN

WH 33.311

OE 81.43601.0162
81.43601.0163

VC
CT 1888 N
FS
PH
GY
DL
CF



zijaanzicht

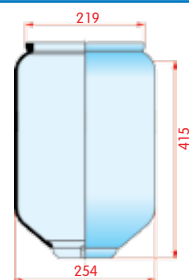
Luchtbalg, los rubber (Bellows Only)

MAN

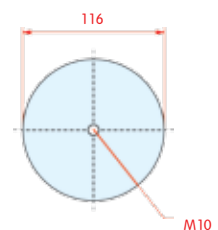
WH 33.443

OE 81.43601.0025

VC V 1 D 23 B
CT 809 NT
FS
PH 1 D 23 C
GY
DL
CF



zijaanzicht



onderaanzicht

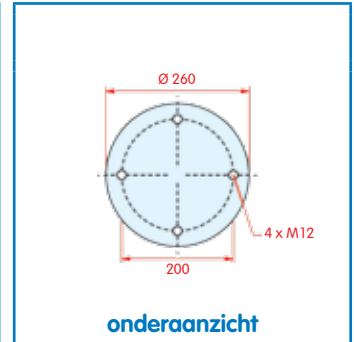
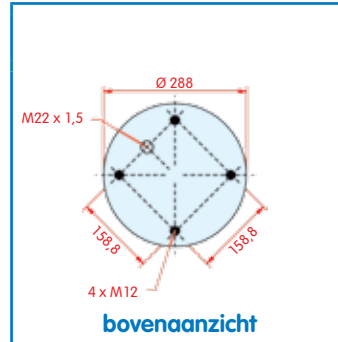
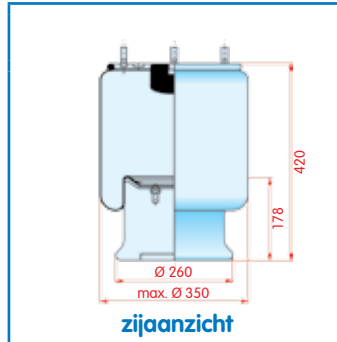
Luchtbalg zonder bovenplaat (Service Assembly)

MAN

WH 33.02

OE 2.229.0003.00

VC V 1 D 28 B-2
CT 813 MB
FS 1T19L-11 W01-M58-6339
 1T19L-11 W01-M58-7345
PH 1 D 28 B-2
GY 1R14-705 566-28-3-547
DL D13 B02
 D13 B19
CF 1T19E2 87408



Luchtbalg compleet (Complete Assembly)
 Ten behoeve van SAF sleepas MAN F90 Commander

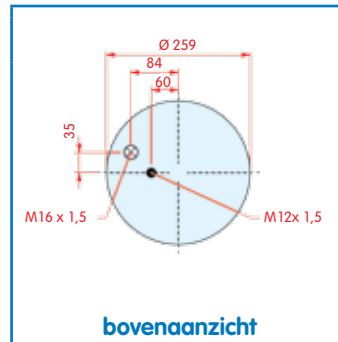
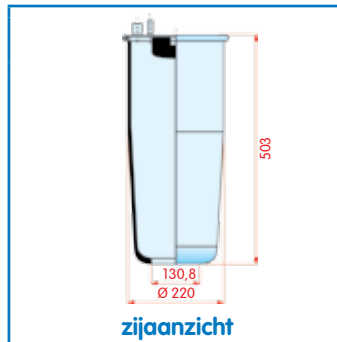
Montageset is 33.504

MAN

WH 33.185

OE 81.43601.0152

VC V 1 DF 19 B-1 NP
CT 4884 N1 P01
FS
PH
GY
DL
CF



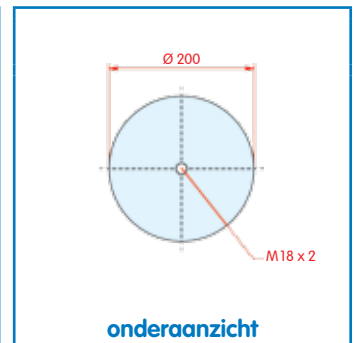
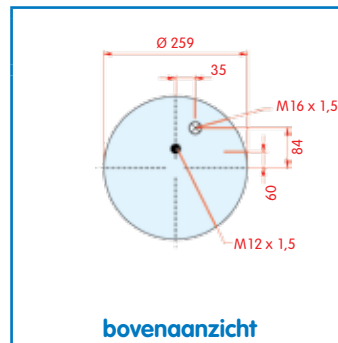
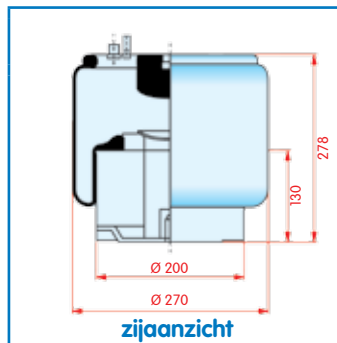
Luchtbalg zonder onderpot (Service Assembly)

MAN

WH 33.266

OE 81.43601.6035

VC V 1 DF 19 B-1
CT 4884 N1 P06
FS
PH
GY
DL
CF



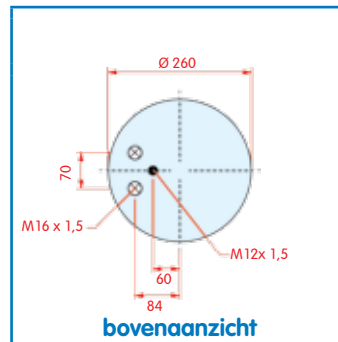
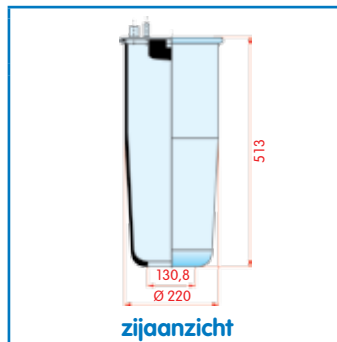
Luchtbalg compleet (Complete Assembly)

MAN

WH 33.186

OE 81.43601.0151

VC V 1 DF 16-2 NP
CT 4882 N1 P01
FS
PH
GY
DL
CF



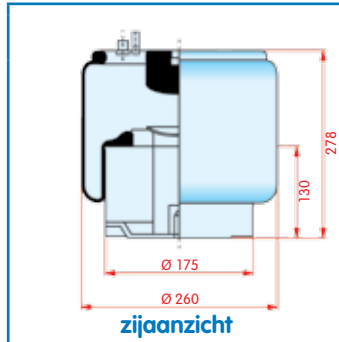
Luchtbalg zonder onderpot (Service Assembly)

MAN

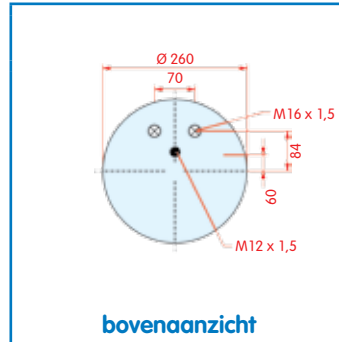
WH **33.267**

OE 81.43601.6036

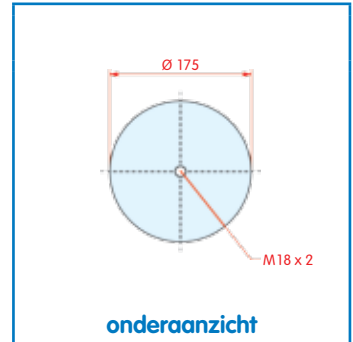
VC V 1 DF 16-2
 CT 4882 N1 P05
 FS
 PH
 GY
 DL
 CF



zijaanzicht



bovenaanzicht



onderaanzicht

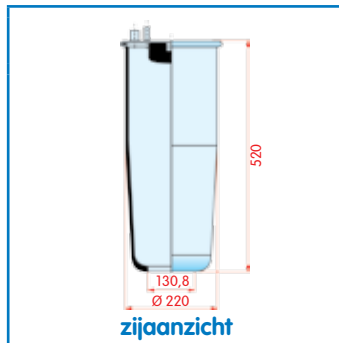
Luchtbalg compleet (Complete Assembly)

MAN

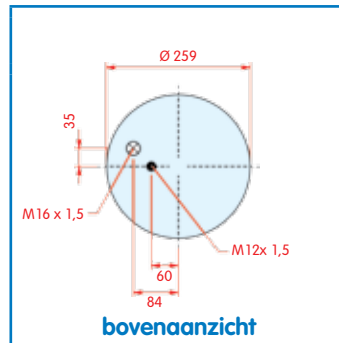
WH **33.187**

OE 81.43601.0153

VC V 1 DF 19 C-1 NP
 CT 4883 N1 P01
 FS
 PH
 GY
 DL
 CF



zijaanzicht



bovenaanzicht

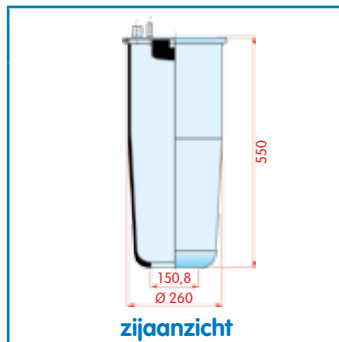
Luchtbalg zonder onderpot (Service Assembly)

MAN

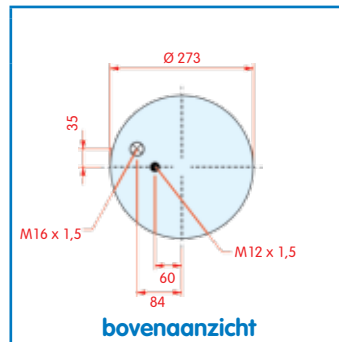
WH **33.188**

OE 81.43601.0155
 81.43601.6068

VC
 CT 4705 N1 P01
 FS
 PH
 GY
 DL
 CF



zijaanzicht



bovenaanzicht

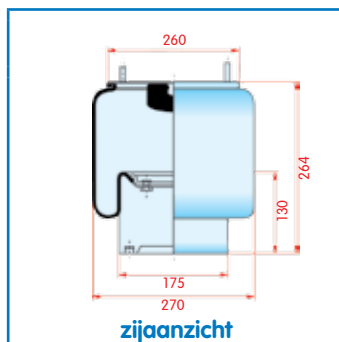
Luchtbalg zonder onderpot (Service Assembly)

MAN

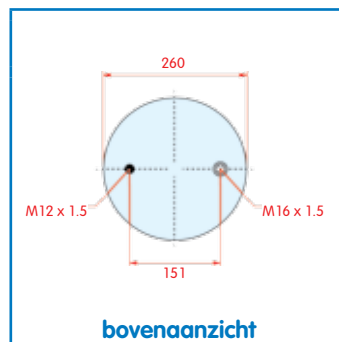
WH **33.445**

OE 81.43601.6049

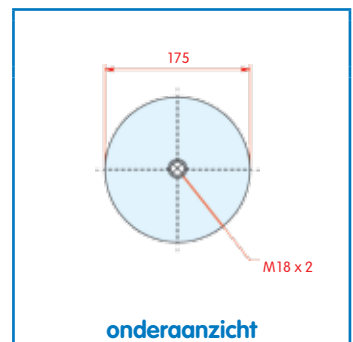
VC V 1 DF 16 B-1
 CT 4862 N1 P02
 FS
 PH
 GY
 DL
 CF



zijaanzicht



bovenaanzicht



onderaanzicht

Luchtbalg compleet (Complete Assembly)